

## Microstrip Dual Junction Circulator

Part Number: **KTMC-902AS59**

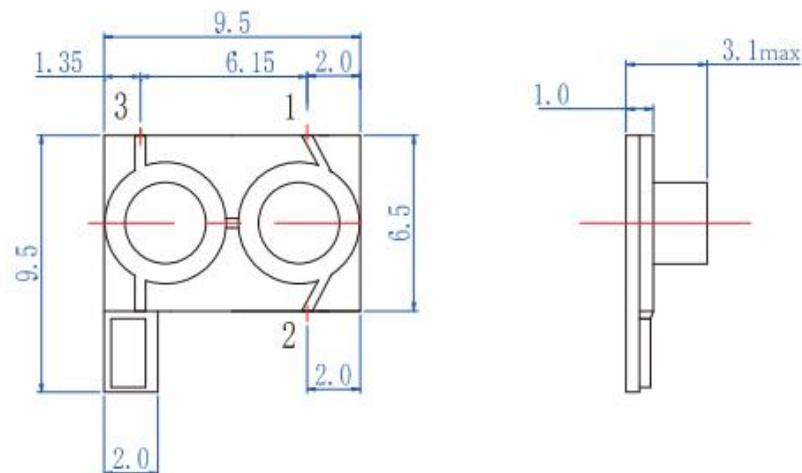
### Key Features

- Frequency Range: 9.0GHz–10.5GHz
- Good Consistency
- Small Size, High Precision
- High Isolation, Low Insertion Loss
- Wide Operating Temperature Range: -55°C~+85°C
- Widely Used in Various Millimeter Wave Radar & TR Components

### Electrical Specifications at Room (25°C±5°C) Temperature

Part Number	Freq. Range (GHz)	Bandwidth Max. (MHz)	Insertion Loss Max. (dB)	Isolation Min. (dB)	VSWR Max.	Forward Power (W)	Connector Type
KTMC-902AS59	9.0 - 10.5	full	0.5(1→2) 1.0(2→3)	18(2→1) 30(3→2)	1.35	10	GWB

### Mechanical Dimensions (mm)



### HOW TO ORDER

